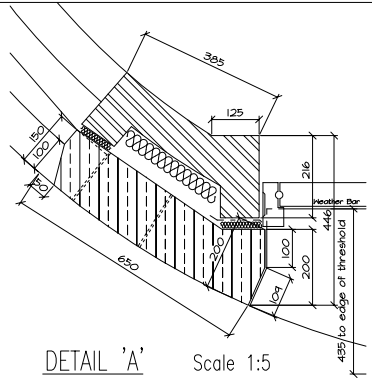
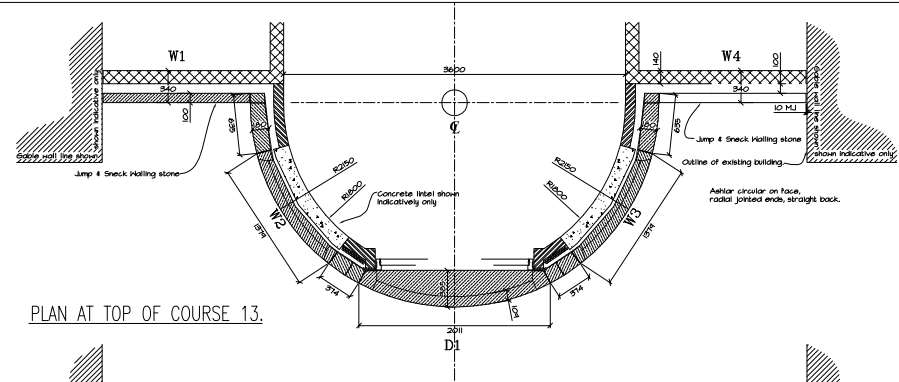


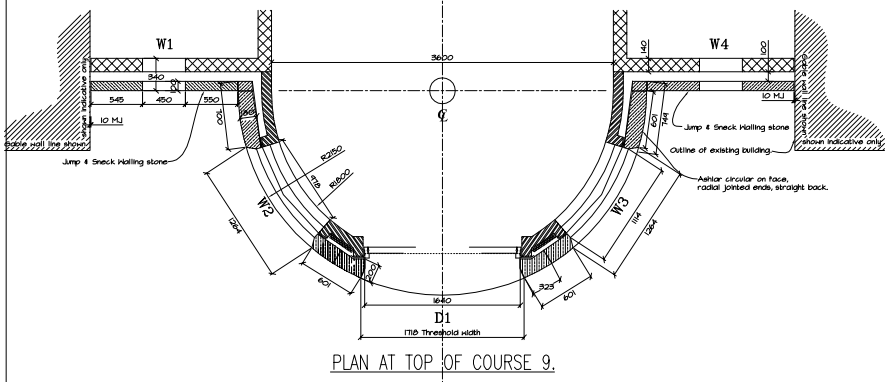
PLAN AT TOP OF COURSE 4.



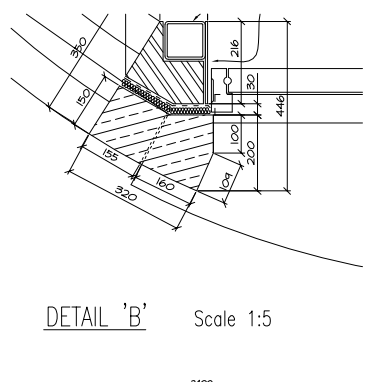
DETAIL 'A' Scale 1:5



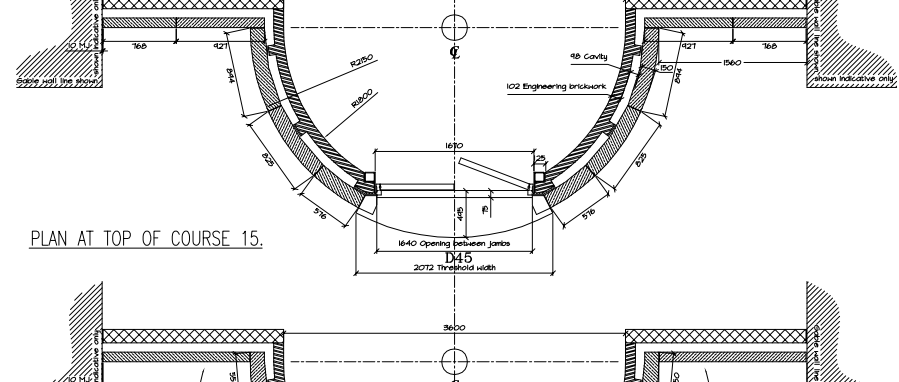
PLAN AT TOP OF COURSE 13.



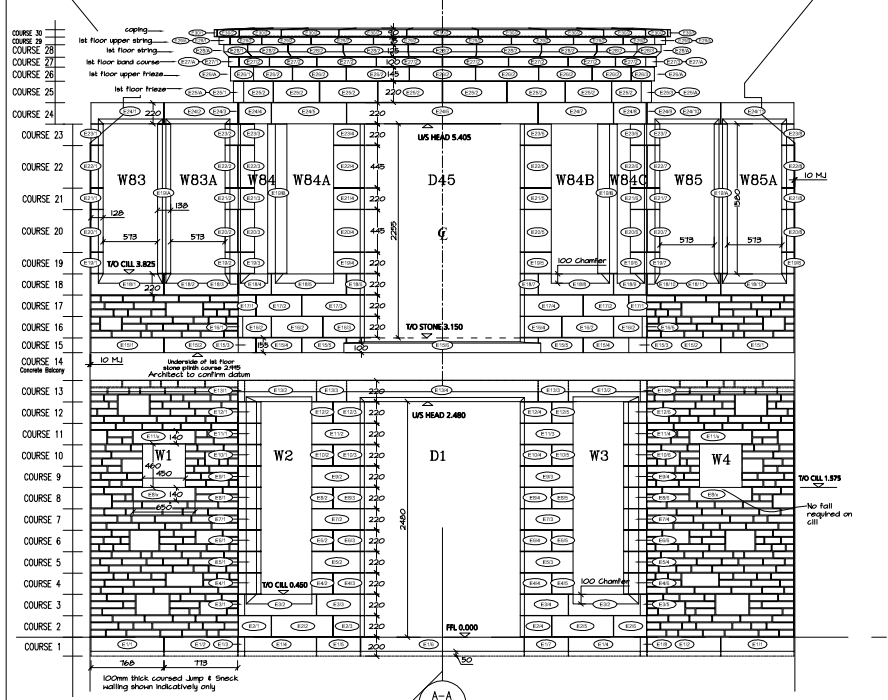
PLAN AT TOP OF COURSE 9.



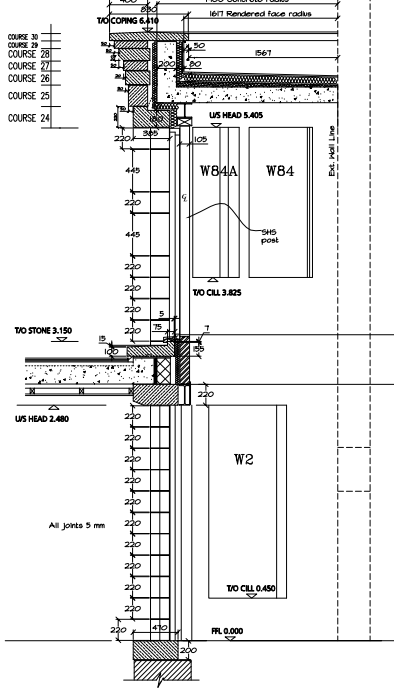
DETAIL 'B' Scale 1:5



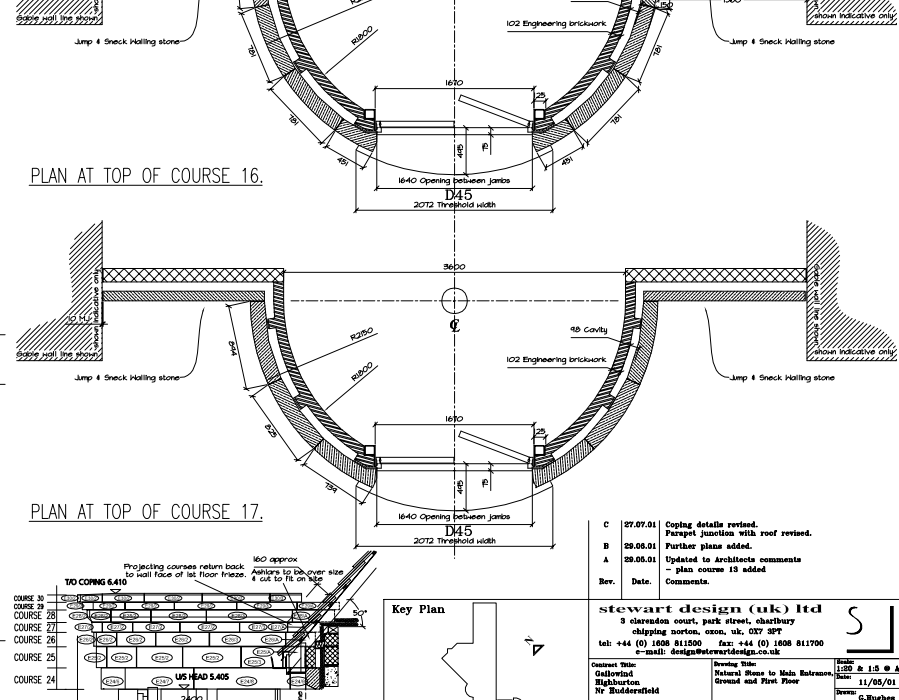
PLAN AT TOP OF COURSE 15.



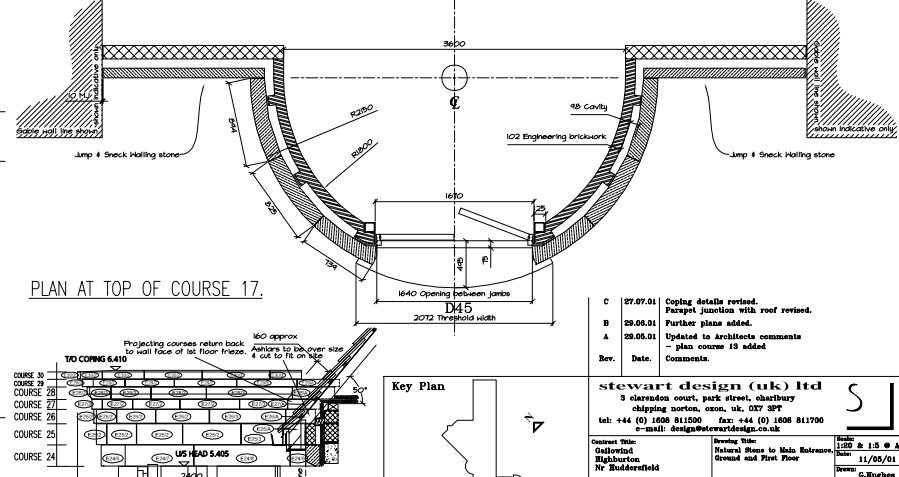
MAIN ENTRANCE ELEVATION



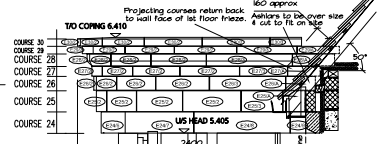
SECTION A-A



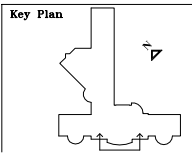
PLAN AT TOP OF COURSE 16.



PLAN AT TOP OF COURSE 17.



SIDE ELEVATION



C	27.07.01	Coping details revised.	1:100 & 1:5 @ A-D
B	29.05.01	Parapet junctions with roof revised.	11/06/01
A	28.05.01	Further plans added.	
Rev.	28.05.01	Updated to Architects comments - plan course 13 added	
Rev.	Date.	Comments.	

Stewart design (uk) ltd
 9 eldons court, park street, oxford
 shippingorton, oxon. uk. OX7 9PT
 tel: +44 (0) 1868 811200 fax: +44 (0) 1868 811700
 e-mail: design@stewartdesign.co.uk

Contract Title:	Disturbed Highburton W/ Reddlesfield	Drawing Title:	Revised Plans to Main Entrance, Ground and First Floor
Architect:	One17 AD	Contract No.:	4770
Client:	Johnsons Wellfield Quarries Ltd	Design Drawing no.:	03/0008

GA014 Rev. c