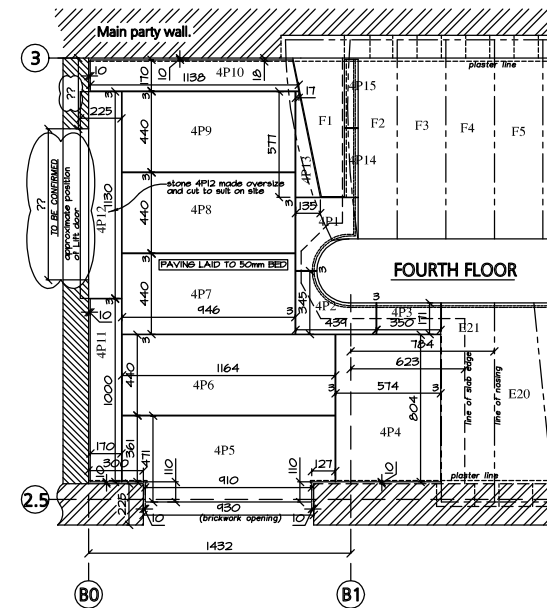
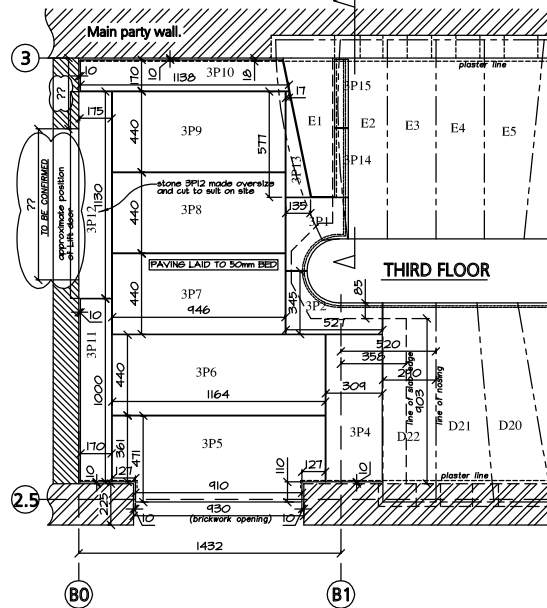


**ALL PAVING 50mm THICK  
EDGE BAND DEPTH VARIES  
(STONES P1, P2, P3)**



**KEY PLAN**

**NOTE:**  
ALL FIXINGS TO BE STAINLESS STEEL  
UNLESS STATED OTHERWISE.  
DWGS TO BE READ IN CONJUNCTION  
WITH ARCHITECTS DWGS

All stone beds and joints to be 3mm except where stated.

All dimensions/details clouded as such to be confirmed.

Dimension styles:

40 Gross overall sizes including joints.

40 Net stone sizes

Revised detail

Stone type: PORTLAND

This drawing to be read in conjunction with drawing nos:

GA003  
GA004  
GA005  
GA006

DRAWING CREATED BY

stewart design (uk) limited  
Tel: +44 (0) 1865 811500 Fax: +44 (0) 1865 811700  
e-mail: design@stewartdesign.co.uk  
website: www.stewartdesign.co.uk

A 25.10.00		Joining updated to Architects comments.
REV	DATE	AMENDMENT
Issued for		
<input type="checkbox"/> As Built <input type="checkbox"/> Information <input type="checkbox"/> Site		
COPYRIGHT Not to be reproduced without written permission		
PROJECT		
41 Upper Brook Street Mayfair London		
DRAWING TITLE		
STONEMASONRY Paving & Edge Band Facing Loyed to Landings First, Second, Third, and Fourth Floor Levels		
AXTELL PERRY SYMM MASONRY LIMITED OSNEY MEAD, OXFORD, OX2 0BQ TEL: (01865) 254600 FAX: (01865) 254617 E-mail: Dico@APSMasonry.com		
DRAWN BY	JPS	Checked by: AGM
SCALE	1:10/1:5 @ A0	
DATE	29th August 2000	
DRAWING No.	X036	DWG No. GA007
REV	A	