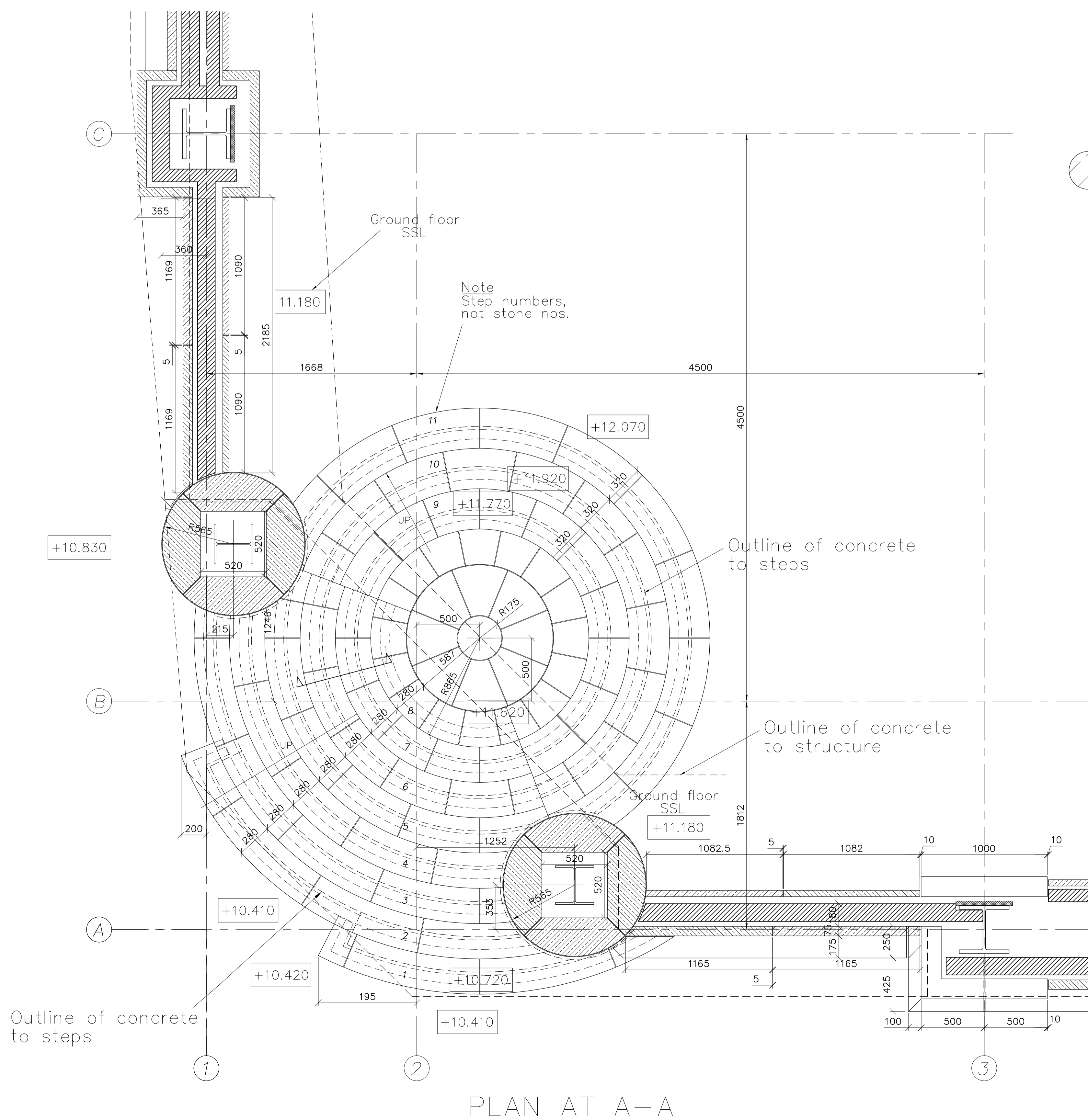
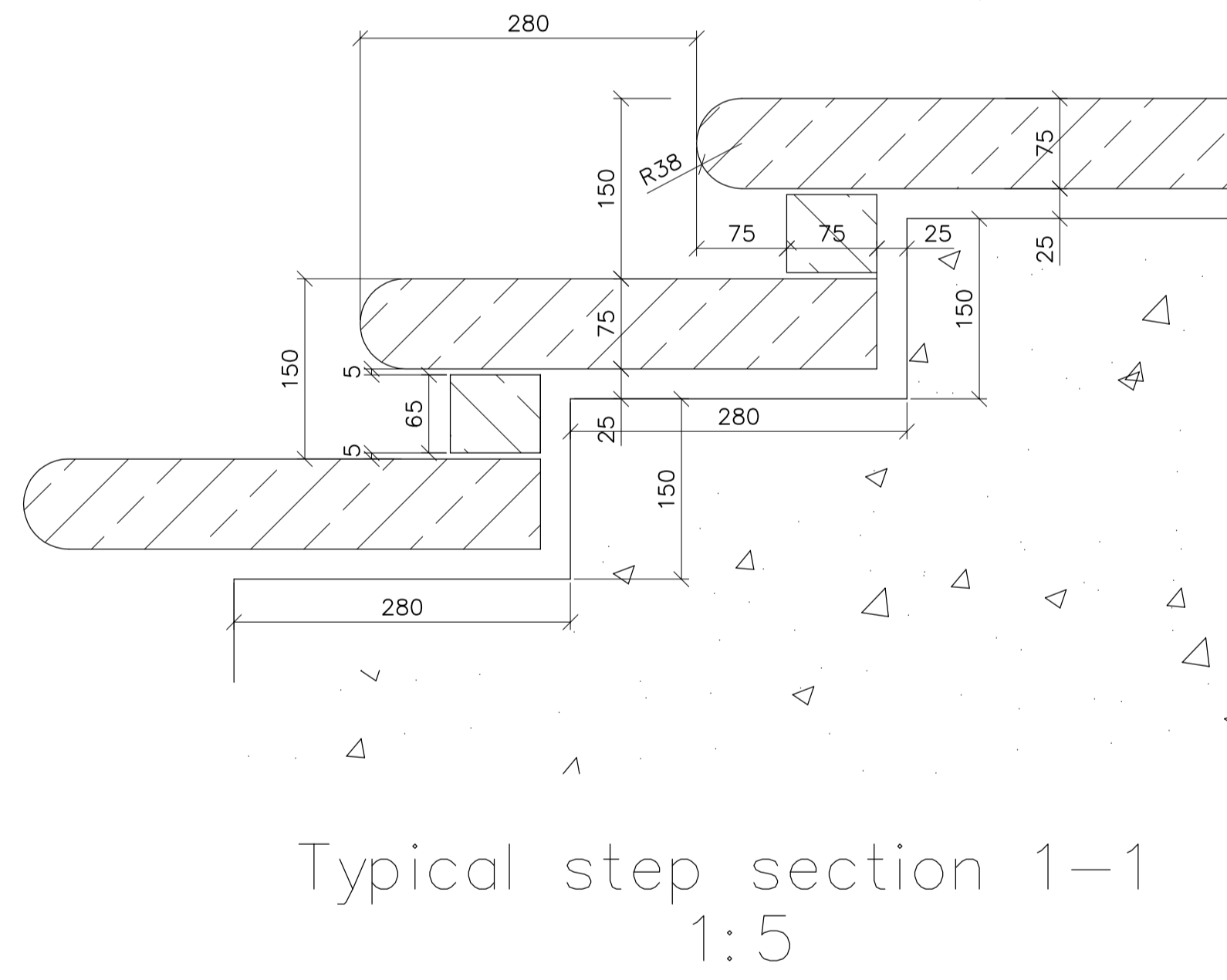


FRONT ELEVATION

YORKSTONE STEPS BY OTHERS, NOT B&P



PLAN AT A-A

NOTES
 These drawings have been prepared in accordance with BS2298 1994, Design & Installation of Natural Stone Cladding and Lining.
CONTRACTOR'S DESIGN RISK ASSESSMENT
 The size and shape of individual stones for this project have been designed to meet the design requirements for the building. All persons handling and installing such materials must be aware of the risks associated with this type of work, which cannot be designed out.
Risk: Injury
 Risk Reduction: The contractor should employ lifting methods appropriate to the size and shape of the stones. Access and working platforms must be the standard required by current regulations. Reference must always be made to COSHH information for the materials being used.

ISSUED FOR CONSTRUCTION

THIS DRAWING TO BE READ IN CONJUNCTION WITH DRAWING NOS 241-GA16/1, 2 & 3
 ALL STONE NUMBERS PREFIXED 16S/1, 2, 3, ...
 © 1997 BATH AND PORTLAND STONE LTD

REVISIONS A1 - STEP DETAILS, SURFACES, FINISHES, TO BE COMPLETED BY CONTRACTOR. DIMENSION CHANGES TO HEIGHTS OF COLUMN STONES ON 12TH DECEMBER 1997. B1 - DRAWING RE-ISSUED FOR FINAL APPROVAL. 6TH JANUARY 1998. C1 - ISSUED FOR CONSTRUCTION.	06TH NOVEMBER 1997 12TH DECEMBER 1997 6TH JANUARY 1998
	SITE PLAN BATH STONE 5 CHALLEMEAD BRANSCOMBE ROAD WILSHIRE, SN12 8BU TEL. NO. 01225 791144 FAX. NO. 0171 722 8083
MATERIAL BATH STONE 5 CHALLEMEAD BRANSCOMBE ROAD WILSHIRE, SN12 8BU TEL. NO. 01225 791144 FAX. NO. 0171 722 8083	AN ARC SUBSIDIARY COMPANY BATH & PORTLAND STONE LIMITED
DESCRIPTION DETAILS OF STONE STEPS TO THE ROTUNDA N8 - GROUND FLOOR LEVEL GRID LINES A, B & C; 1, 2 & 3 PLANS N8 ROTUNDA	CONTRACT NAME THE GOVERNOR'S HOUSE NO.5, LAURENCE POUNTNEY HILL LONDON, E.C.4 DRAWN BY A.WAZAN SCALE 1:20, 1:5 DRAWING NO. 241 - GA 16/4 REV '0'