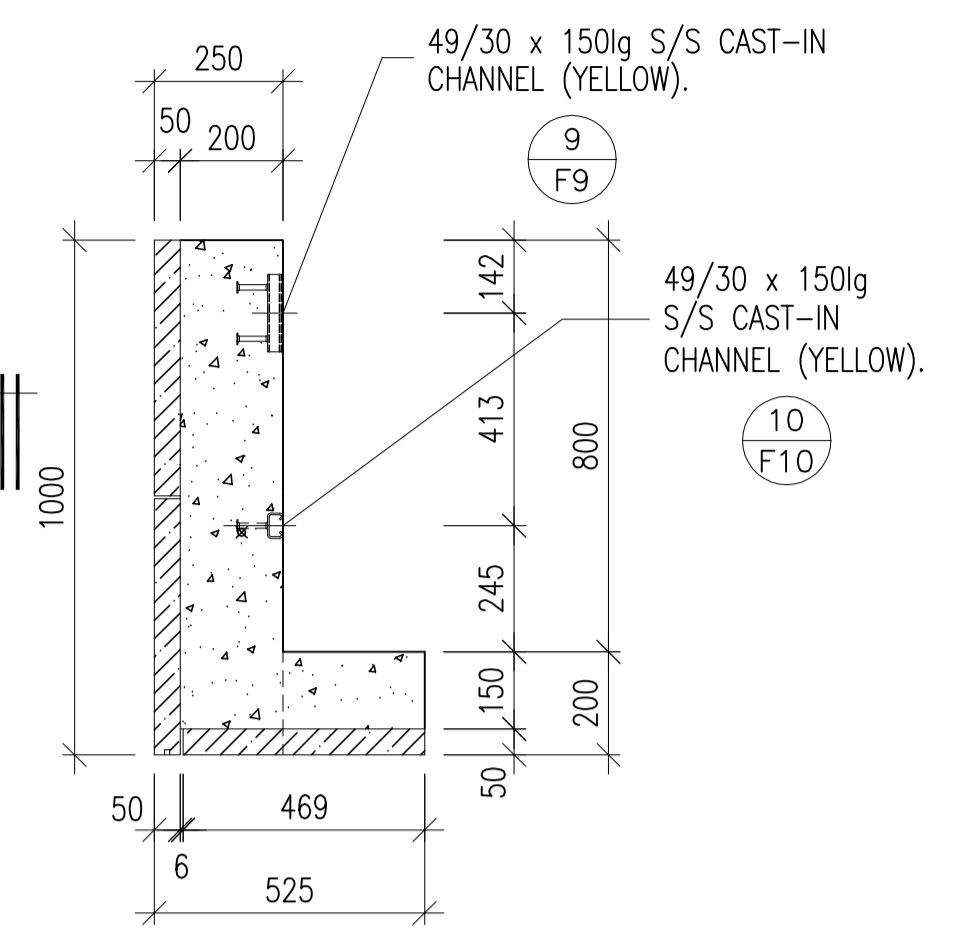


LH END ELEVATION.

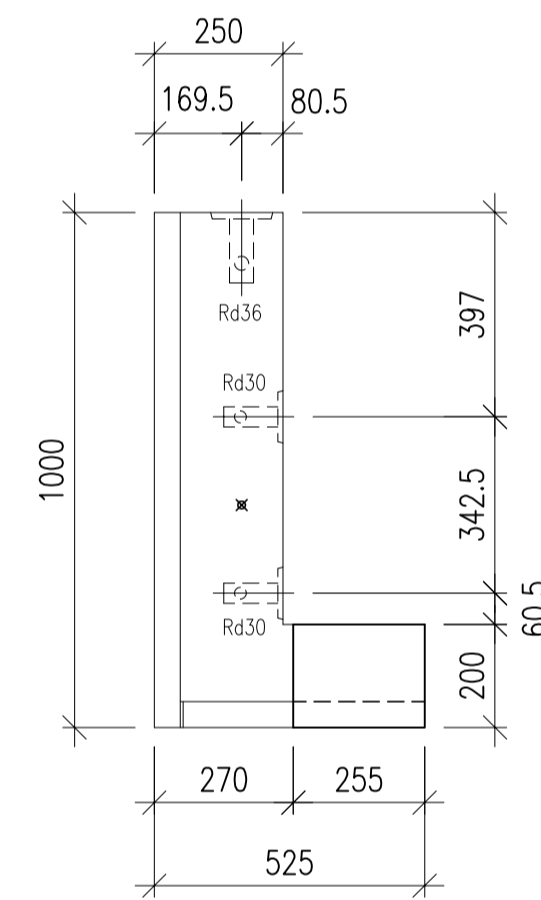
ELEVATION.



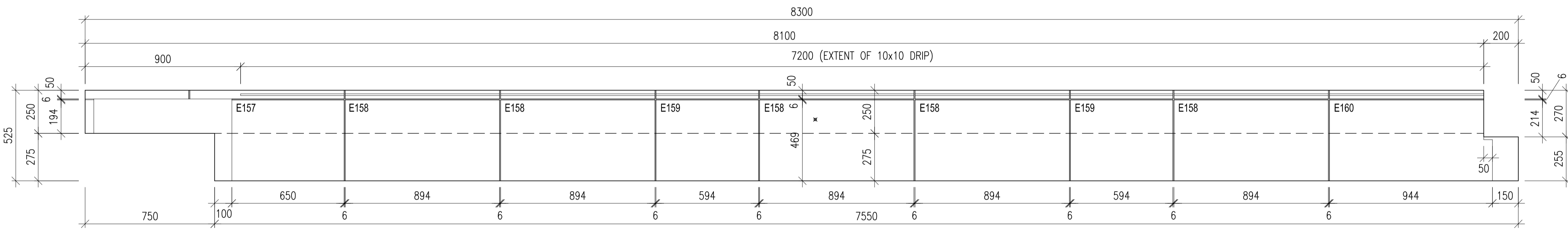
SECTION 1 - 1.

EICHENBUHLER SANDSTONE SCHEDULE		
TYPE	No. PER UNIT	TOTAL
E157	1	1
E158	5	5
E159	2	2
E160	1	1
E161	2	2
E162	1	1
E163	1	1
E164	6	6
E165	2	2
E166	1	1
E167	2	2
E168	7	7
TOTALS	31	31

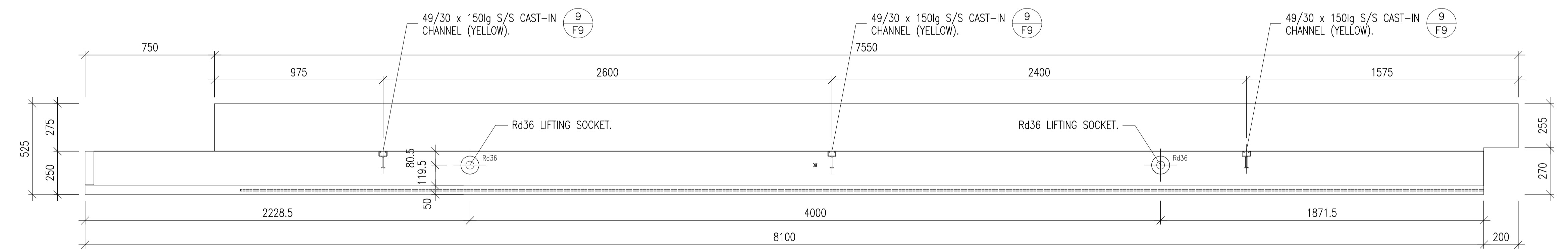
REFER ALSO TO STONE SCHEDULE No.s 537-BCJC-E-5023



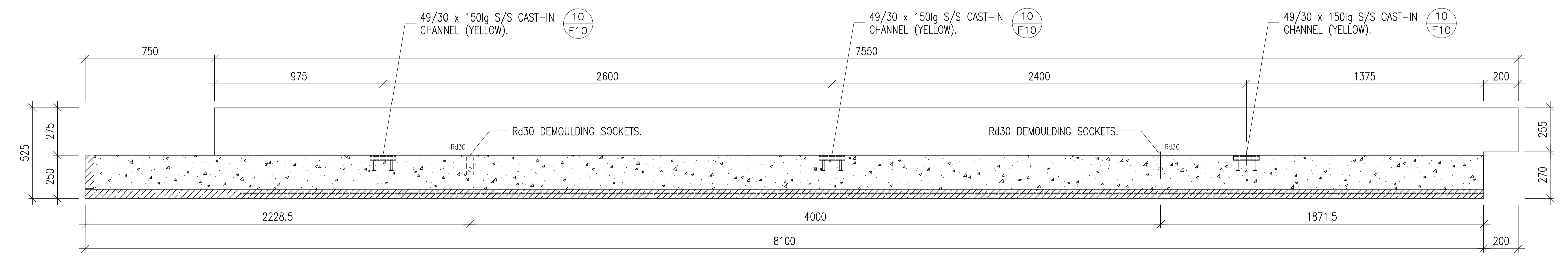
RH END ELEVATION.



SOFFIT ELEVATION.



PLAN.



SECTION 2 - 2

EICHENBUHLER SANDSTONE.

TYPE P95 - 1No. THUS.
CALCULATED WEIGHT 6.250 TONNE.

CAST IN FITTINGS SCHEDULE (QUANTITIES PER UNIT)	
FITTING	No. PER UNIT
Rd 36 LIFTING SOCKETS	2
Rd 30 DEMOULDING SOCKETS	4
49/30 x 150lg S/S CAST IN CHANNEL	6

P95

DO NOT SCALE FROM THIS DRAWING

THE MARBLE MOSAIC COMPANY LIMITED

Winterstoke Road Tel: 01934 419941
Weston-Super-Mare Fax: 01934 625479
BS23 3YE email: marblemosa@aol.com

Project BRISTOL CIVIL JUSTICE CENTRE BRISTOL

Drawing Title

UNIT DETAILS TYPE P95

Contract Number 537 Date 5.02.09 Drawn by A.S.M
Scale (A1) 1:15 @ A1 Checked by

Drawing Number 221 Revision -