

GENERAL NOTES

SAMPLE REFERENCES 5.53.A Grey 5% B

LOOSE METAL FIXINGS SUPPLIED BY MARBLE MOSAIC

METAL FIXINGS SUPPLIED AND CAST IN STRUCTURE BY OTHERS

DOWEL HOLES, SOCKETS, etc. REQUIRED IN CONCRETE STRUCTURE TO BE PROVIDED BY OTHERS

COVER TO REINFORCEMENT TYPICALLY

EXTERNAL FACES 40mm

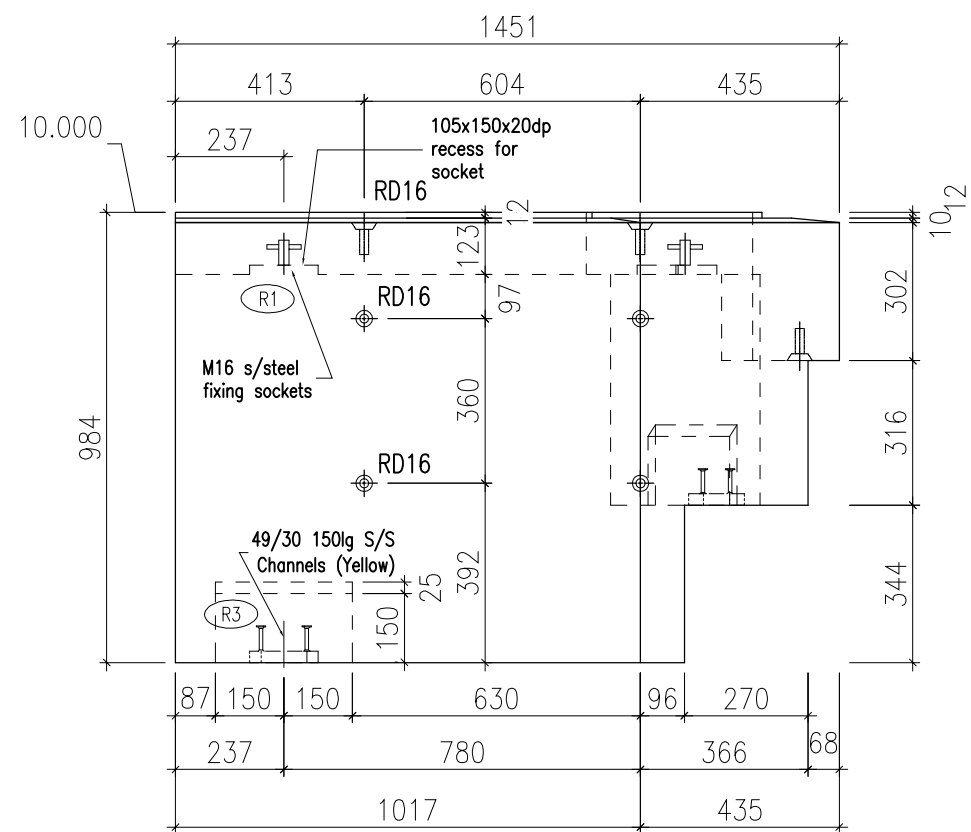
INTERNAL FACES 30mm

POINTING / JOINTING BY

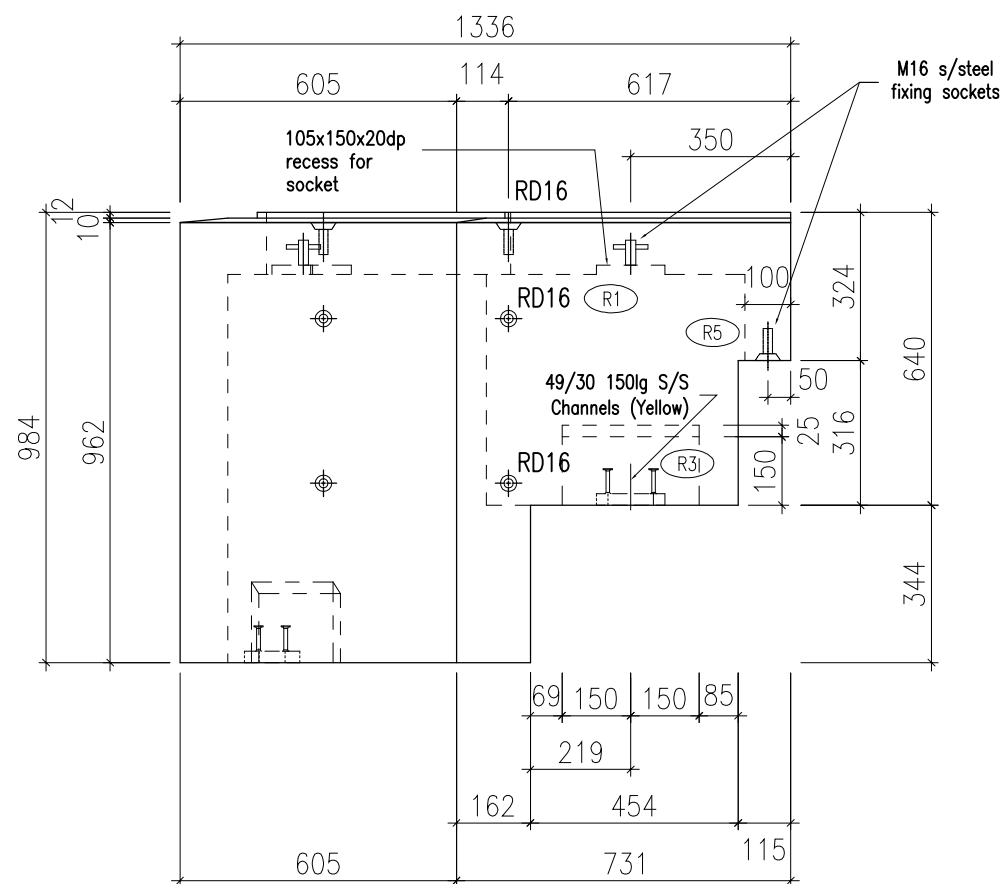
JOINT SPECIFICATION

LIFTING DEVICES TO BE AS SHOWN ON DRAWING

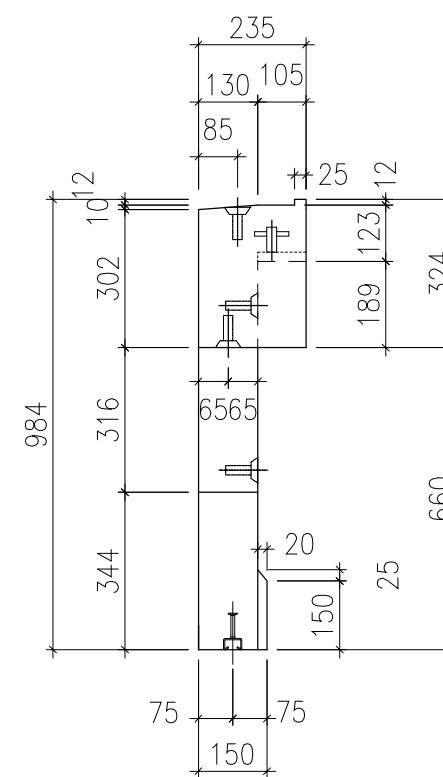
FOR SPECIAL LIFTING, HANDLING AND DELIVERY REQUIREMENTS REFER TO METHOD STATEMENTS



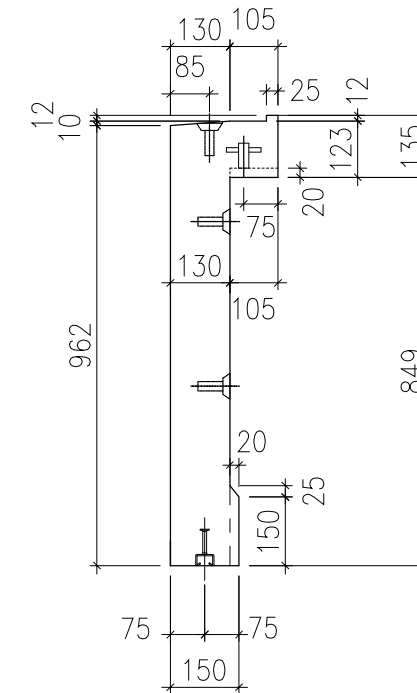
ELEVATION A



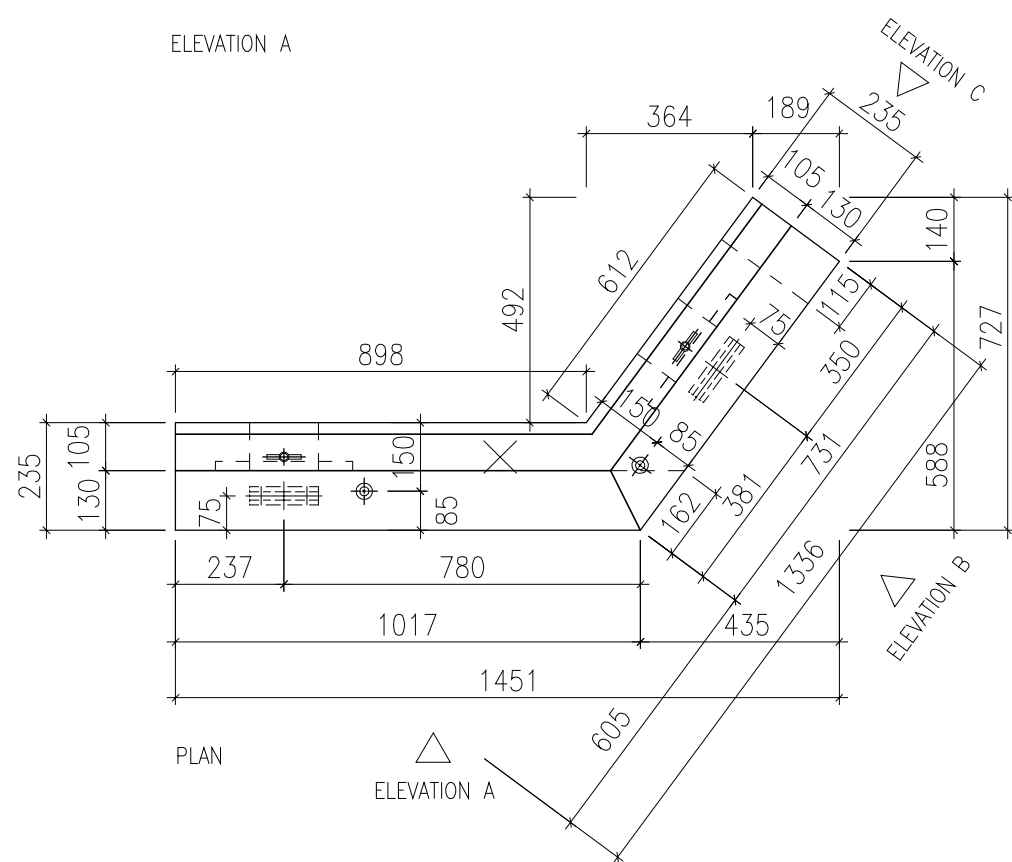
ELEVATION B



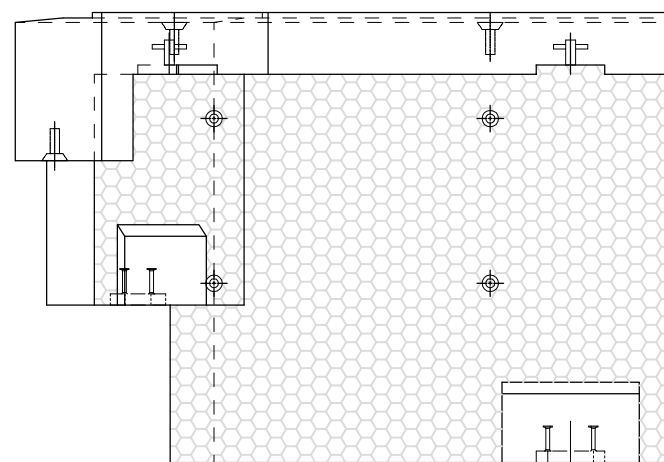
ELEVATION C



SECTION



PLAN



REAR ELEVATION
EXTENT OF INSULATION
TW50, 50MM THICK

Unit Type T49 – 1 No. Off
Unit Weight 0.520t

Rev	Date

DO NOT SCALE FROM THIS DRAWING

THE MARBLE MOSAIC COMPANY LIMITED

Winterstoke Road Tel: 01934 419941
Weston-Super-Mare Fax: 01934 625479
BS23 3YE email: @marble-mosaic.co.uk

Project
Bristol Harbourside

Drawing Title
Unit Type 49
(South East Corner)

Contract Number	Date	Drawn by
538	30/09/08	ASM

Drawing Number	Revision
119	