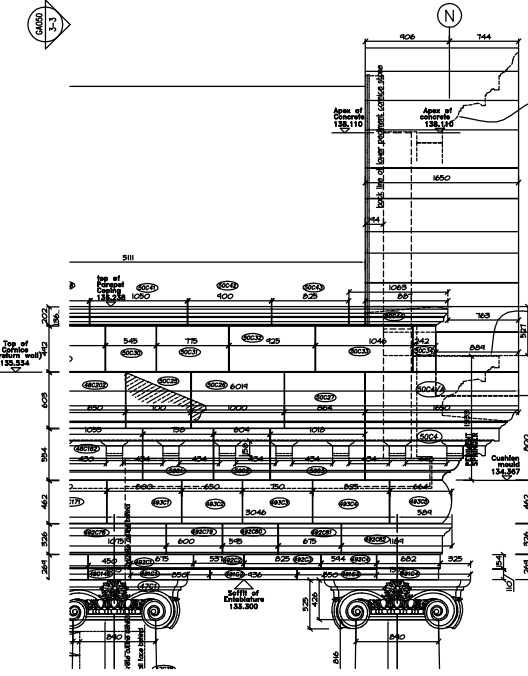
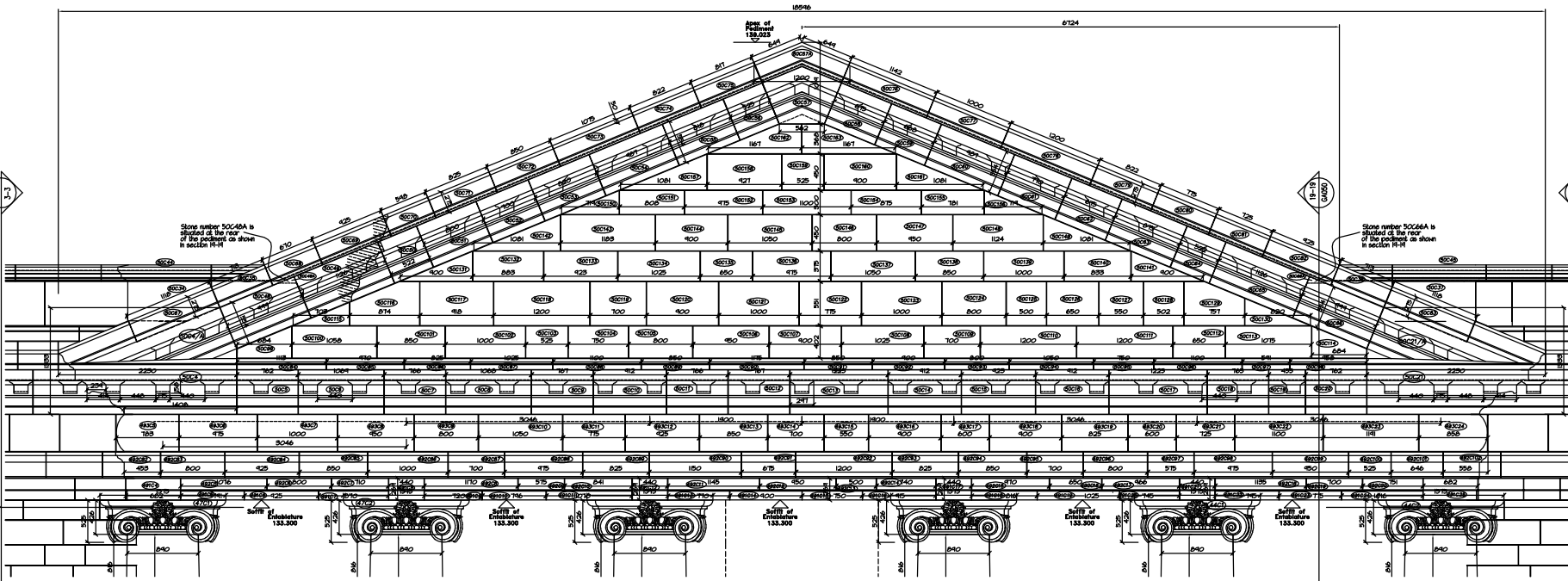
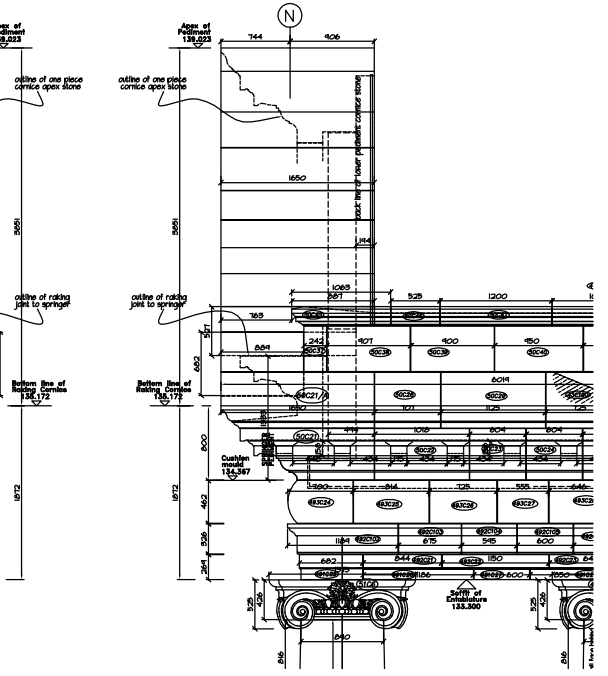


Continued on drawing GA048

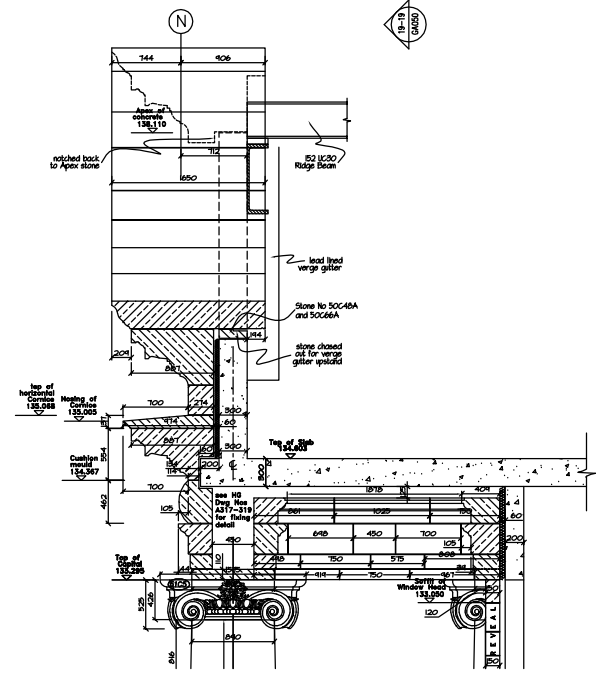
Continued on drawing GA043



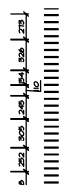
Return Elevation at 3-3



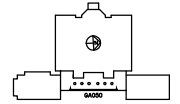
Return Elevation at 14-14



Section 19-19



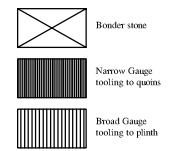
KEY PLAN



NOTE:
ALL FIXINGS TO BE STAINLESS STEEL
UNLESS STATED OTHERWISE
DWG'S TO BE READ IN CONJUNCTION
WITH ARCHITECTS DWG'S

All stone beds and joints to be 5mm

Dimension styles:
40 Gross overall sizes including joints.
40 Net stone sizes.



DRAWING BY



stewart design (uk) limited
Tel: +44 (0) 1608 811900 Fax: +44 (0) 1608 811700
e-mail: design@stewartdesign.co.uk
website: www.stewartdesign.co.uk

REV	DATE	AMENDMENT
B	31.03.03	AS BUILT ISSUE Pediment return face updated. Stone numbers added. Parapet cavity & concrete nib dimensions amended. Top internal Portico soffit stone profile updated.
A	10.10.01	Pediment width and depth increased and stonework updated accordingly. Nib added to Portico concrete. Updated as per returned and marked up drawings.

DRAWING STATUS BOX

- A= Approved
- B= Approved subject to comments
- C= Revise drawing to comments and re-issue

(Status to be completed by Architect before return)

ISSUED FOR

- As Built
- Information
- Site

COPYRIGHT
Not to be reproduced without written permission

PROJECT

DRAWING TITLE

General arrangement
Portico East Elevation Pediment
Gridlines 11-15
Elevation and Sections.

DRAWN BY	JPS	Checked by	AGM
SCALE	1:20 @ A0		
DATE	20/08/01		
DRAWING No.	X050	SECTION	115
	GA050		C