

KEY PLAN

NOTE:
ALL FIXINGS TO BE STAINLESS STEEL UNLESS STATED OTHERWISE
DWGS TO BE READ IN CONJUNCTION WITH ARCHITECTS DWGS

Please note that at all times the dowels must be grouted into the stones in an oversized hole, drilled into the stones, this will mean temporary propping to the stone

| REV | DATE | AMENDMENT |
|-----|----------|-------------------------------|
| A | 27/03/01 | Architects comments included. |

Drawing status box

- A= Approved
- B= Approved subject to comments
- C= Revise drawing to comments and reissue

(Status to be completed by Architect before return)

Issued for

- As Built
- Information
- Site

COPYRIGHT
Not to be reproduced without written permission

PROJECT

DRAWING TITLE

Guest House
West Elevation
Stone dressings
Elevation, Section & Plan



AXTELL PERRY SYMM MASONRY LIMITED
OSNEY MEAD, OXFORD, OX2 0EQ
TEL: (01865) 254600
FAX (01865) 254617
E-mail Dean@APSMasonry.com

DRAWN BY NSH Checked by

SCALE 1/2" = 1' @ A1

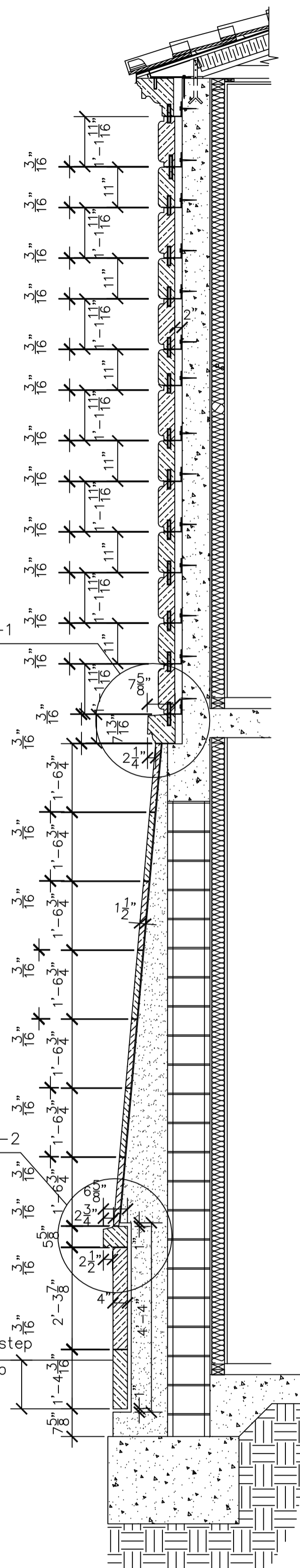
DATE 15/02/01

DRAWING No. X024/GA015/1 REV A

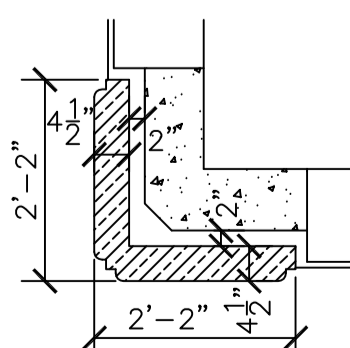
For full size Section, see BMC GA7-2-1

For full size Section, see BMC SA7-2-2

Top step

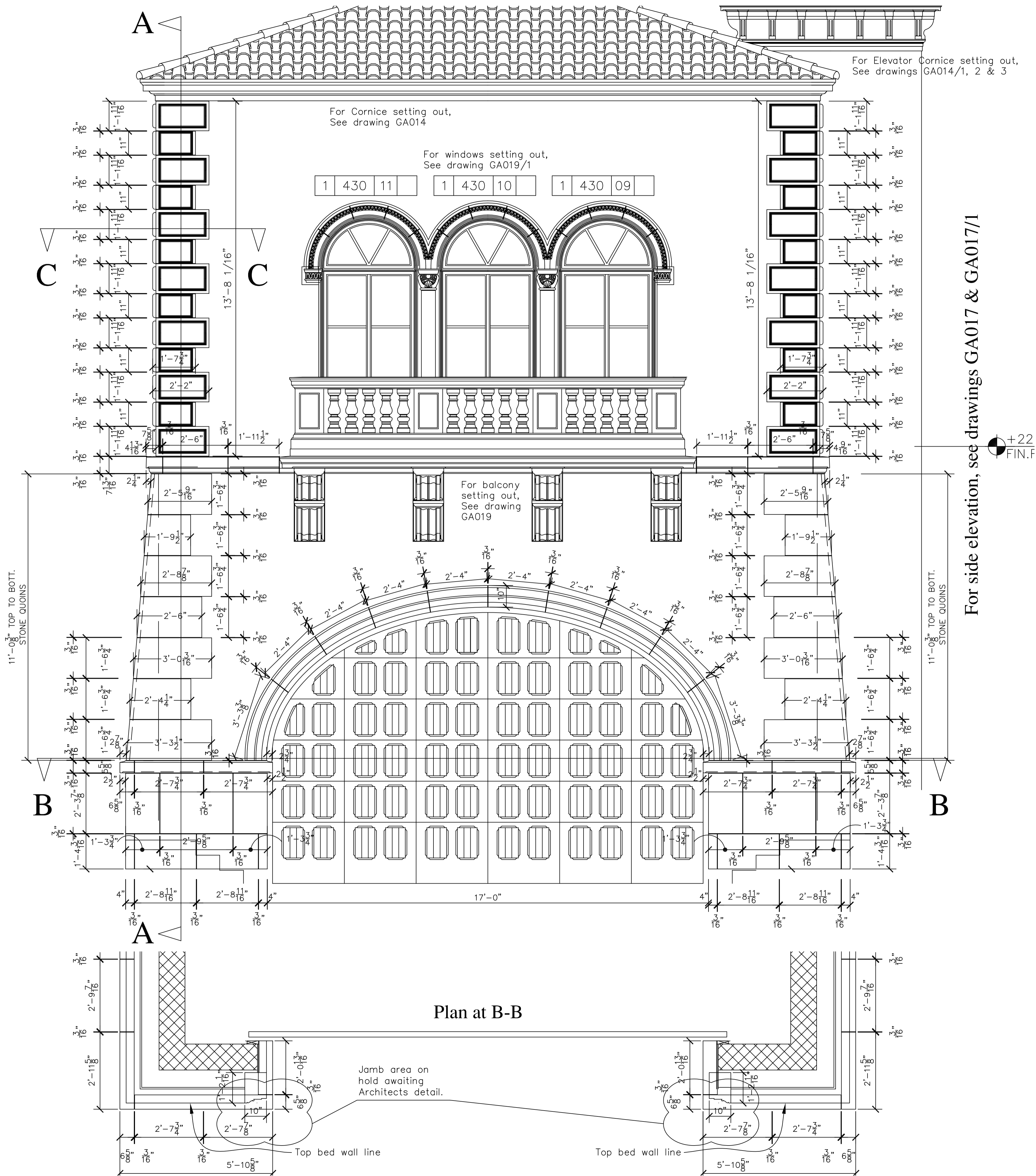


Sec at A-A



Plan at C-C

For side elevation, see drawings GA016 & GA016/1



Plan at B-B

Jamb area on hold awaiting Architects detail.

Top bed wall line

Top bed wall line

For Elevator Cornice setting out, See drawings GA014/1, 2 & 3

For Cornice setting out, See drawing GA014

For windows setting out, See drawing GA019/1

For balcony setting out, See drawing GA019

For side elevation, see drawings GA017 & GA017/1

+22 FIN.F